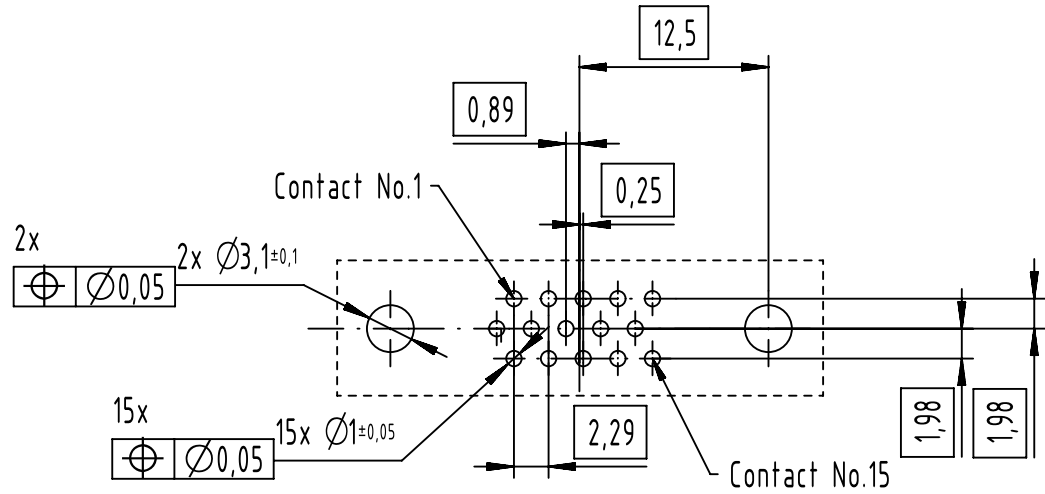
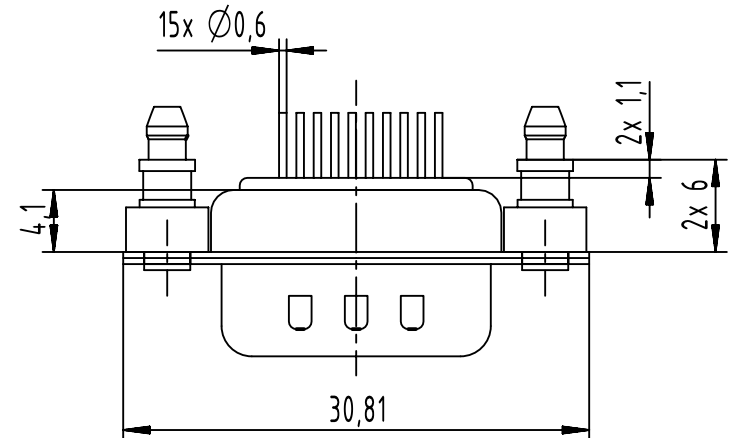


PC-Board layout
view component side
thickness 1,6 mm



	All Dimensions in mm Original Size DIN A4	Scale 2:1	Free size tol.		Ref.
					Sub.
	All rights reserved	Created by ZENGD	Inspected by LUOK	Standardisation ROEBEN	Date 2021-08-20
	Department EL PD	Title D-Sub HD 15P male straight board locks			State Final Release
0956 161 5712	S4	Type TB			Doc-Key / ECM-Nr. 100513324/UGD/001/C 5000002014.08
0956 161 7712	3	Number 0956161X712			Rev. C
Part number	Performance level	D-32339 Espelkamp			Page 1/1